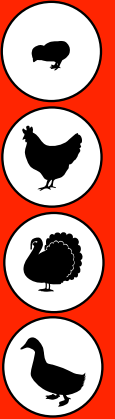


BREEDING





GIORDANO POULTRY PLAST

Giordano Poultry Plast® was founded in 1962 and continues to be run by the Giordano family.

Since its origin, it has devoted itself to the poultry sector, specialising in it: from hatching to breeding, all the way down to slaughtering and transport, and it has made its production revolve around a material endowed with countless qualities: plastic.

Equipment supply to animal farming represents the deepest root of the group activity, and the sector in which its longest history has given birth to a wide-ranging and well-structured production and commercial organization worldwide.

The specific expertise in the use of materials has led to the development, especially in recent years, of a significant network of relationships with other leading companies in the sector, operating not only in the breeding field but also in such other fields as slaughtering and transport, for which the Giordano group designs and creates high-tech plastic products and components. A supplementary recognition of skill and reliability.

Thanks to a direct knowledge of the usage profile and of the different technical and practical needs coming from the various sectors within the global poultry industry, the Company attends directly to all production phases. From creation to design, in our R&D department, and final manufacture, the company is always looking for innovative high-performing products and solutions, capable of combining efficiency, cost-effectiveness and durability.

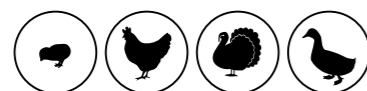


AUTOMATIC LINE

Thanks to its current range of lines, made with recognized and peculiar raw materials (100% made in Italy) and proved reliable functioning, Giordano Poultry Plast® is effectively positioned on the market as supplier of automatic lines and their complementary components.

The possibility of offering turnkey feeding and drinking lines is worthwhile for poultry as well as for turkey and duck farms, confirming the severe decrease in human intervention during the breeding.

The efficient automatic feeders and drinking lines are designed for all species of poultry interest and for every breeding need. They are also easy to assemble and maintain, and allow a significant reduction in time and management costs.



TWIST & MAXI TWIST



Cod. 0308001
TWIST

CHARACTERISTICS

Diameter: 350 mm
Circumference: 1.110 mm
Capacity:
60/70 adult chicken 2,5 kg
Depth: 40 mm
Weight: 0,855 kg
Standard packing:
20 cones per carton
540x540x570 mm
20 pans per carton
710x360x1.010 mm
Shipping capacity:
1.200 pieces per 20' cnt
2.400 pieces per 40' cnt
2.760 pieces per 40' HC



Cod. 0308004
MAXI TWIST

CHARACTERISTICS

Diameter: 375 mm
Circumference: 1.180 mm
Capacity:
60/70 adult chicken 2,5 kg
Depth: 55 mm
Weight: 0,885 kg
Standard packing:
20 cones per carton
400x1.000x800 mm
20 pans per carton
400x1.000x800 mm
Shipping capacity:
1.040 pieces per 20' cnt
2.080 pieces per 40' cnt
2.360 pieces per 40' HC

Cod. 0308103
CAP



Cod. 0308104
FLAT CAP



Twist is the only truly fully automatic feeder worldwide. It is the first poultry feeder consisting of only 3 parts and the only feeder allowing a one-step washing process, without any disassembling or handling. Twist is made to follow the entire cycle growth of the broiler, satisfying ideal bird feeding needs by simply modifying the height of the line, to provide the best results up to the end of the lifecycle. The special inclination towards the inner centre of the plate and the edge design allow a substantial reduction of food leakage during the feeding.





POLYFEEDER



Cod. 0307003
WITHOUT COVER



Cod. 0307001
WITH COVER



CHARACTERISTICS

Diameter:
400 mm
Circumference:
125 mm
Capacity:
60/70 adult turkeys 18/20 kg
Weight:
1,800 kg

Cod. 0307001

Shipping capacity:
700 pieces per 20' cnt
1.460 pieces per 40' cnt
1.700 pieces per 40' HC

The combination varies according to the accessories



POLYFEEDER

COMBINATION 10+14



COMBINATION 13



COMBINATION 10+11



Cod. 0307108
COVER



Cod. 0307109
COLLARETTE



Cod. 0307101
PLATE



Polyfeeder is the automatic feeder of Giordano Poultry Plast for turkey and web-footed bird breeding. This highly resistant plastic feeder is suitable for all ages of birds realized with decomposable and modular parts, allowing different applications. Its main advantage is that it can be used during the breeding and fattening phases in all situations where it is possible to carefully adjust the feed flux.

DRINKER T-LINE



CHARACTERISTICS

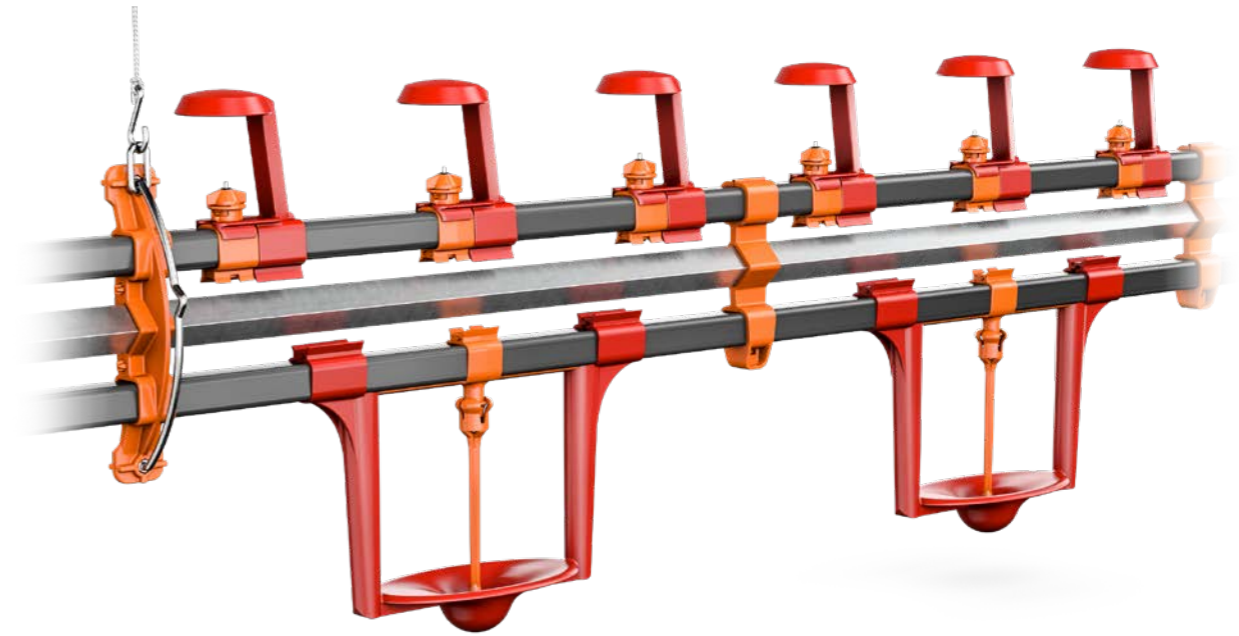
Capacity:
 Duck:
 25/30 DOC*/cup
 9/11 finishing/cup
 Turkey:
 30/40 DOC*/cup
 25/30 finishing/cup
 20 TOM/cup
 *DOC = day old chicks



Cod. 0280103.00
FATTENING BIG CUP

Cod. 0280102.00
REARING

DRINKER T-LINE



Cod. 0260114.01
COLLARETTE



Cod. 0280104.00
DUCK CUP



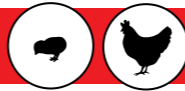
Cod. 0260110.12
TURKEY/DUCK
water flow cc/min 75



The Drinker T-Line is specifically designed for ducks and turkeys. It provides perfect functionality, optimum performances and is composed by few components. Permanent supply of fresh water permits the animals to live in a healthy environment and to decrease the mortality rate.
 The pendulum, which is connected to the nipple and oscillates thanks to the pecking of ducks, minimizes water wasting and permits a correct calibration of water.



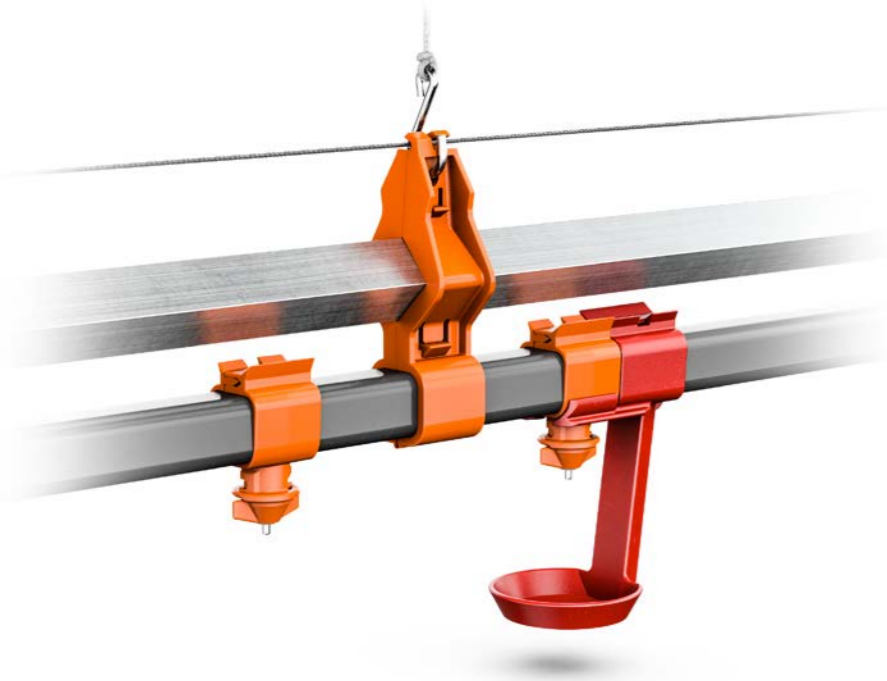
SUPER DROP



CHARACTERISTICS

Capacity:
10/12 chickens

The drinking line has a perfect functionality and optimum performance. No waste, no leakage, always dry litter. Permanent supply of fresh water results in healthy environment with less mortality. Different nipples available depending on water flow and the species of farmed birds.



Cod. 0250013.00
BROILER
water flow cc/min 30



Cod. 0270117.00
BROILER/BREEDER
water flow cc/min 24



Cod. 0250013.02
DUCK WEANING
water flow cc/min 80



FEEDERS & DRINKER

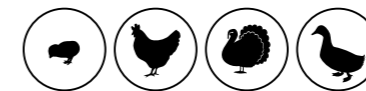
All poultry farms, wherever they might be and whatever their size, need an adequate administration of food and drinking water.

The Giordano Poultry Plast® drinkers and feeders are designed to ensure a positive economic result in compliance with regulatory requirements and growing expectations of animal welfare, environmental sustainability and monitoring of health and hygiene conditions.

Among the most dynamic areas of its business, Giordano Poultry Plast® has regularly expanded its range of drinking and feeder troughs over time and the species for which the same should be designed and implemented.

All drinkers and feeders in the company's range are easy to assemble and maintain. The whole product range is made to follow the entire cycle growth of the animal, from the chick up to the adult stage, through products designed to satisfy all poultry species.

The materials used to produce our products are adequately tested, and thanks to the use of various additives we protect them from UV rays, colour them, and customize them according to customer requirements.



MANOLA B  Cod. 0301001



CHARACTERISTICS
 Diameter: 450 mm
 Circumference: 1.300 mm
 Depth: 75 mm
 Feeder capacity: 20 kg
 70/80 adult chickens
 Weight: 1,741 kg
 Standard packing: 20 cones per carton
 680x360x700 mm
 20 pans per carton
 450x450x550 mm
 Shipping capacity: 2.100 pieces per 20' cnt
 4.200 pieces per 40' cnt
 4.800 pieces per 40' HC

Cod. 0301002
WITHOUT COVER



Cod. 0301117
GARDEN RAIN COVER
Diameter: 610 mm

MANOLA T   Cod. 0301003.01 WITH COVER



CHARACTERISTICS
 Diameter: 560 mm
 Circumference: 1.726 mm
 Depth: 112,5 mm
 Feeder capacity: 20 kg
 50/60 adult turkeys
 Weight: 2,624 kg
 Standard packing: 20 cones per carton
 680x360x700 mm
 20 pans per carton
 550x550x930 mm
 Shipping capacity: 1.200 pieces per 20' cnt
 2.400 pieces per 40' cnt
 2.600 pieces per 40' HC

Cod. 0301004.01
WITHOUT COVER

SPARE PARTS MANOLA B/T

- | | | | |
|---|---|--|---|
| <p>Cod. 0301103
LID</p>  | <p>Cod. 0301102
CONE</p>  | <p>Cod. 0301106
BOTTOM STABILIZING BAR</p>  | <p>Cod. 0301105
TOP STABILIZING BAR</p>  |
| <p>Cod. 0306103
SUSPENSION HOOK</p>  | <p>Cod. 0301110
SCREW</p>  | <p>Cod. 0301112
METAL WASHER</p>  | |

ONLY MANOLA B

- | | | |
|---|---|--|
| <p>Cod. 0301101
PAN</p>  | <p>Cod. 0301118
ANTI-WASTE GRID</p>  | <p>Cod. 0301104
ALUMINIUM STEM</p>  |
|---|---|--|

ONLY MANOLA T

- | | | |
|---|---|---|
| <p>Cod. 0301108
PAN</p>  | <p>Cod. 0301109
ANTI-WASTE GRID</p>  | <p>Cod. 0301104.01
ALUMINIUM STEM</p>  |
|---|---|---|

PICASSIETTE



Cod. 0306001
WITH COVER



CHARACTERISTICS

Diameter:
320 mm
Weight:
1,100 kg
Capacity:
10 kg
500 broiler DOC*
250 turkey DOC*
*DOC = day old chicks
Shipping capacity:
1.620 pieces per 20' cnt
3.420 pieces per 40' cnt
4.200 pieces per 40' HC



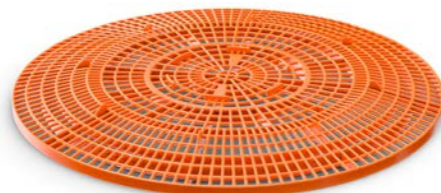
Cod. 0306103
COVER (optional)

Cod. 0306102
CONE

Cod. 0306101
PLATE

Cod. 0306002
WITHOUT COVER

FEED PLATE AND GRID



Cod. 0305001
FEED PLATE

CHARACTERISTICS

Diameter:
400 mm
Capacity:
100 chicks
Weight:
0,400 kg

Cod. 0210106.01
GRID

CHARACTERISTICS

Diameter:
400 mm
Weight:
0,650 kg

GRID



Cod. 0430001
GRID 1.000x500 mm

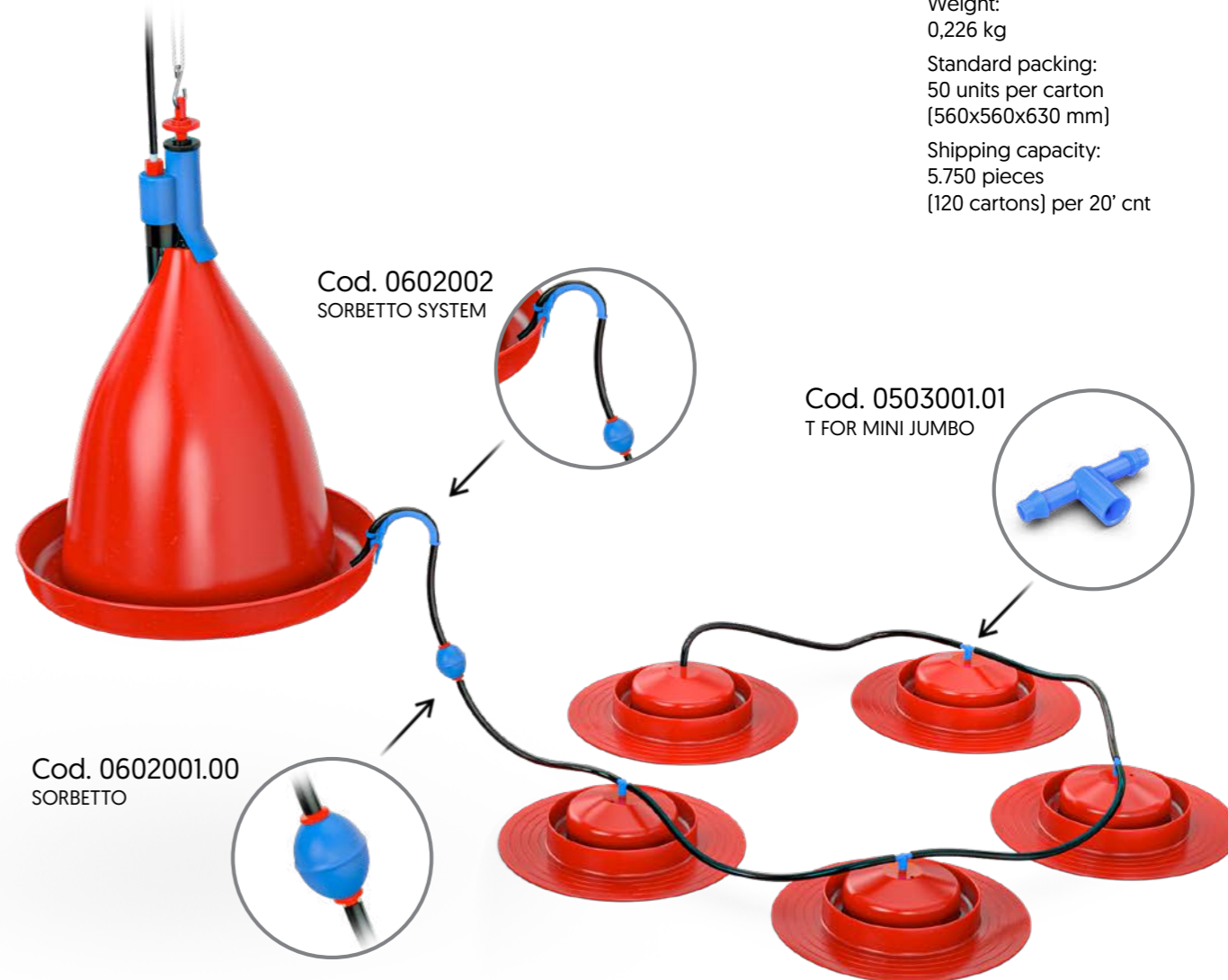
Cod. 0430003
GRID 1.000x400 mm

Cod. 0430002
GRID 1.000x200 mm

SORBETTO SYSTEM - MINI JUMBO



Cod. 0205001



CHARACTERISTICS

Capacity:
100 chicks
Weight:
0,226 kg
Standard packing:
50 units per carton
(560x560x630 mm)
Shipping capacity:
5.750 pieces
(120 cartons) per 20' cnt

MINI P200 FOR CAGES



Cod. 0206001

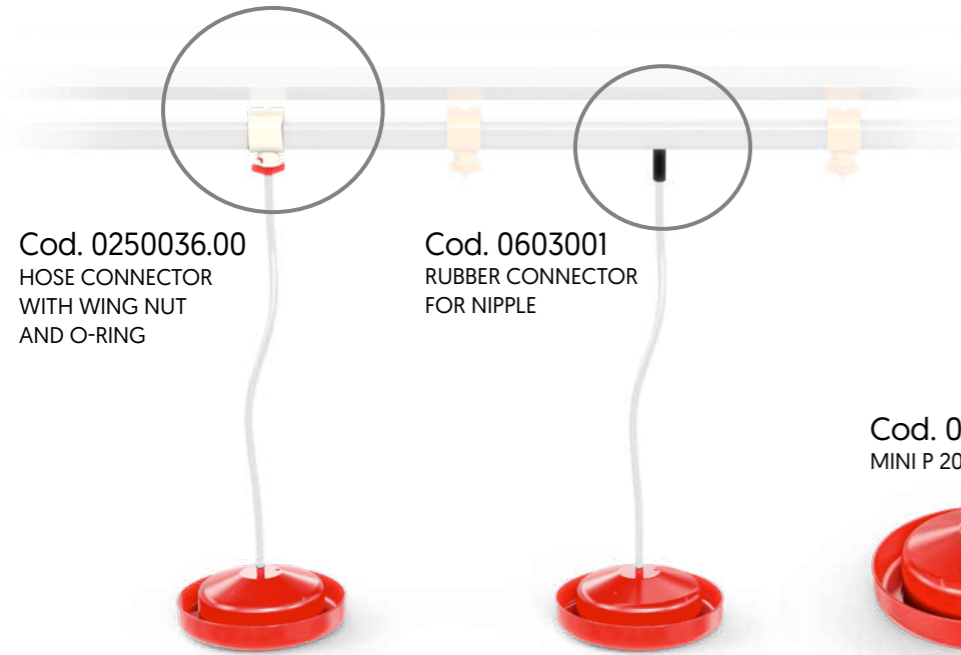
CHARACTERISTICS

Capacity:
60/80 chicks

Weight:
0,142 kg

Standard packing:
90 units per carton
(560x560x630 mm)

Shipping capacity:
10.350 pieces
(115 cartons) per 20' cnt



Cod. 0250036.00
HOSE CONNECTOR
WITH WING NUT
AND O-RING

Cod. 0603001
RUBBER CONNECTOR
FOR NIPPLE

Cod. 0206001
MINI P 200

G 89



Cod. 0210001

CHARACTERISTICS

Outside dimensions:
bell diameter 280 mm
bell seat diameter 345 mm

Weight:
0,663 kg

Drinking capacity:
80/100 chicks

Standard packing:
20 pieces per carton
(630x360x880 mm)

Shipping capacity:
3.000 pieces per 20' cnt
6.000 pieces per 40' cnt



GRAVITY DRINKER



Cod. 0207002/L3

CHARACTERISTICS

Capacity:
80 chicks

Weight:
0,330 kg

Standard packing:
50 units per carton
(400x400x820 mm)

Shipping capacity:
8.750 pieces per 20' cnt
17.500 pieces per 40' cnt



Cod. 0207001/L5

CHARACTERISTICS

Capacity:
100 chicks

Weight:
0,350 kg

Standard packing:
50 units per carton
(480x480x570 mm)

Shipping capacity:
9.600 pieces per 20' cnt
19.200 pieces per 40' cnt

JUMBO JUNIOR



Cod. 0209003

CHARACTERISTICS

Outside dimensions:
bell diameter 370 mm
height 280 mm

Weight:
1,347 kg

Drinking capacity:
70/80 adult chickens

Standard packing:
20 pieces per carton
(820x640x740 mm)

Shipping capacity:
1.500 pieces per 20' cnt
3.000 pieces per 40' cnt



JUMBO B



Cod. 0201011

CHARACTERISTICS

Outside dimensions:
diameter 400 mm
height 630 mm

Weight:
1,921 kg

Drinking capacity:
60/80 adult broiler/breeder

Standard packing:
20 pieces per carton
(660x420x710 mm)

Shipping capacity:
2.860 pieces [143 cartons]
per 20' cnt
5.740 pieces [287 cartons]
per 40' cnt
5.740 pieces per 40' HC



JUMBO T



Cod. 0201009

CHARACTERISTICS

Outside dimensions:
diameter 480 mm
height 650 mm

Weight:
2,133 kg

Drinking capacity:
50/60 adult fattener/breeder

Standard packing:
20 pieces per carton
(700x470x710 mm)

Shipping capacity:
2.080 pieces [104 cartons]
per 20' cnt
4.160 pieces [208 cartons]
per 40' cnt
4.160 pieces per 40' HC



G 86



Cod. 0208006.01

CHARACTERISTICS

Outside dimensions:
diameter 380 mm
height 625 mm

Weight:
1,862 kg

Drinking capacity:
60/80 adult broiler

Standard packing:
20 pieces per carton
(410x410x700 mm)

Shipping capacity:
4.200 pieces [210 cartons]
per 20' cnt
8.400 pieces [420 cartons]
per 40' cnt
8.400 pieces [420 cartons]
per 40' HC



Working only suspended

JUMBO 98



Cod. 0211003

CHARACTERISTICS

Outside dimensions:
305 mm depth 100 mm
through 100x70 mm
total height 500 mm

Weight:
1,201 kg

Drinking capacity:
50/60 adult fattener

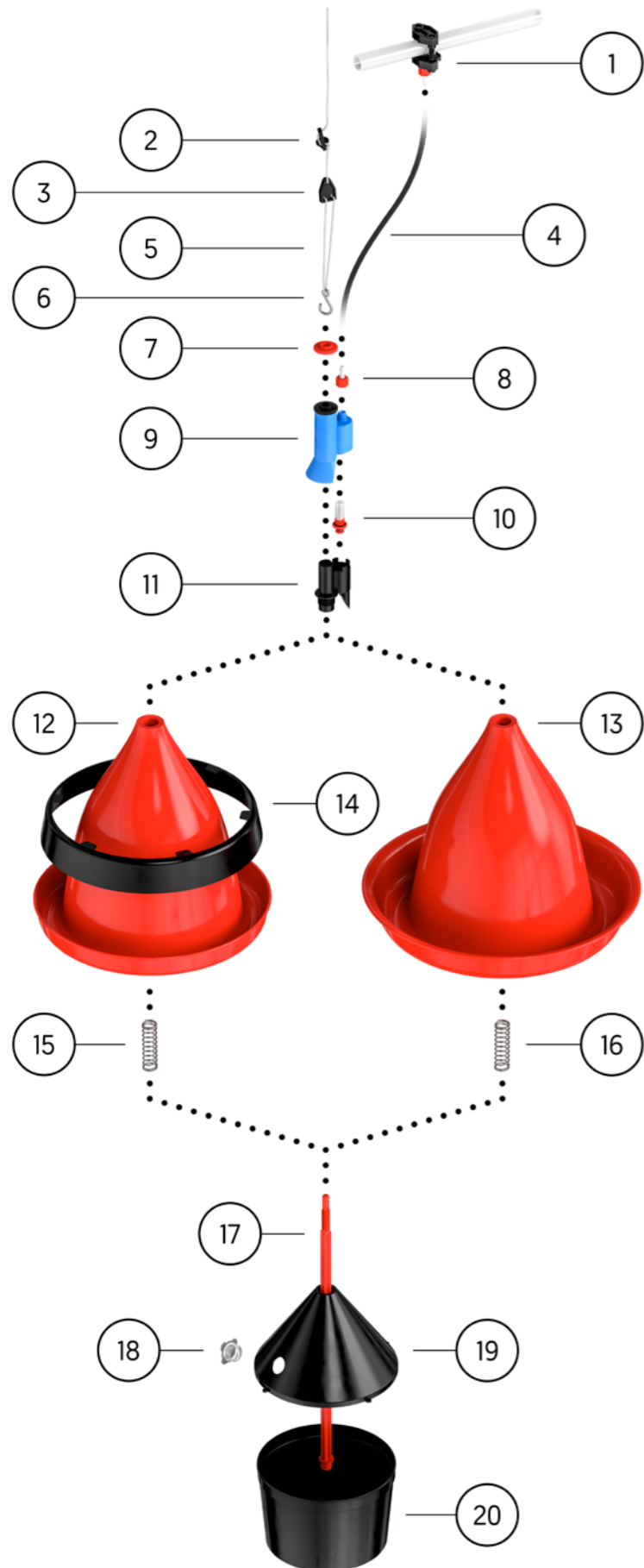
Standard packing:
20 pieces per carton
(330x620x920 mm)

Shipping capacity:
3.000 pieces [150 cartons]
per 20' cnt
6.000 pieces [300 cartons]
per 40' cnt
6.000 pieces [300 cartons]
per 40' HC



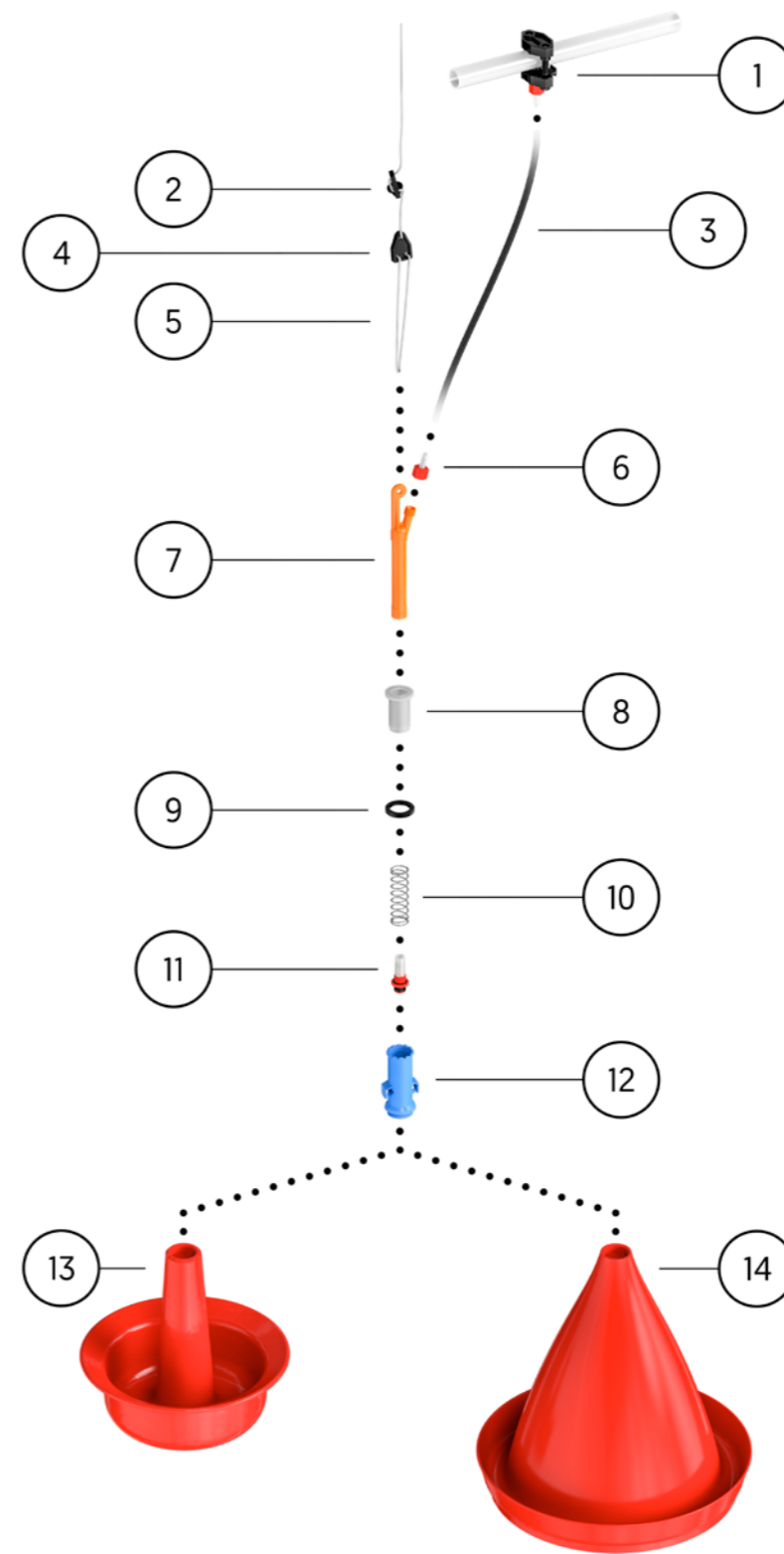
Working only suspended

JUMBO B Ø9 / JUMBO T Ø9



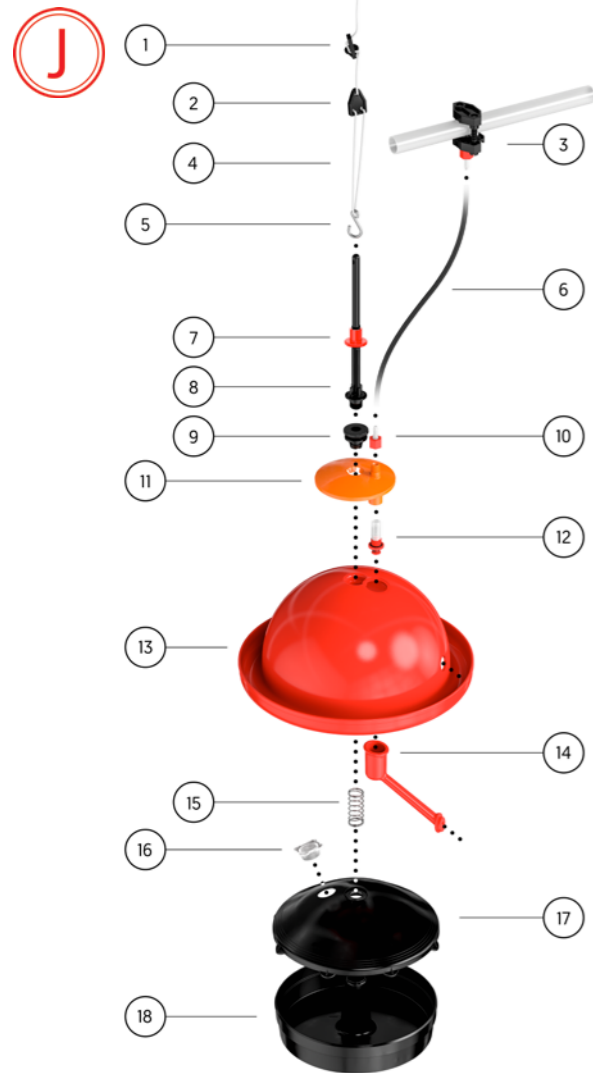
1	0480001	Shut-off saddle
2	0505107	Hose hook
3	0505106	Cord adjuster
4	0604001	Hose 5x9 mm
5	0505111	Suspension cord
6	0505119	Suspension hook (metal)
7	0201111	Locknut
8	0501111	Hose connector
9	0201107	Water level control
10	0506001	Valve
11	0201108	Collar
12	0201102	Jumbo-B bell
13	0201101	Jumbo-T bell
14	0201109	Chick ring for Jumbo-B
15	0505114	Spring [Jumbo-B]
16	0505115	Spring [Jumbo-T]
17	0201106	Stem
18	0201112	Plug
19	0201104	Cover
20	0201105	Base
19 + 20	0201103	Ballast Complete

JUMBO 98 / G86



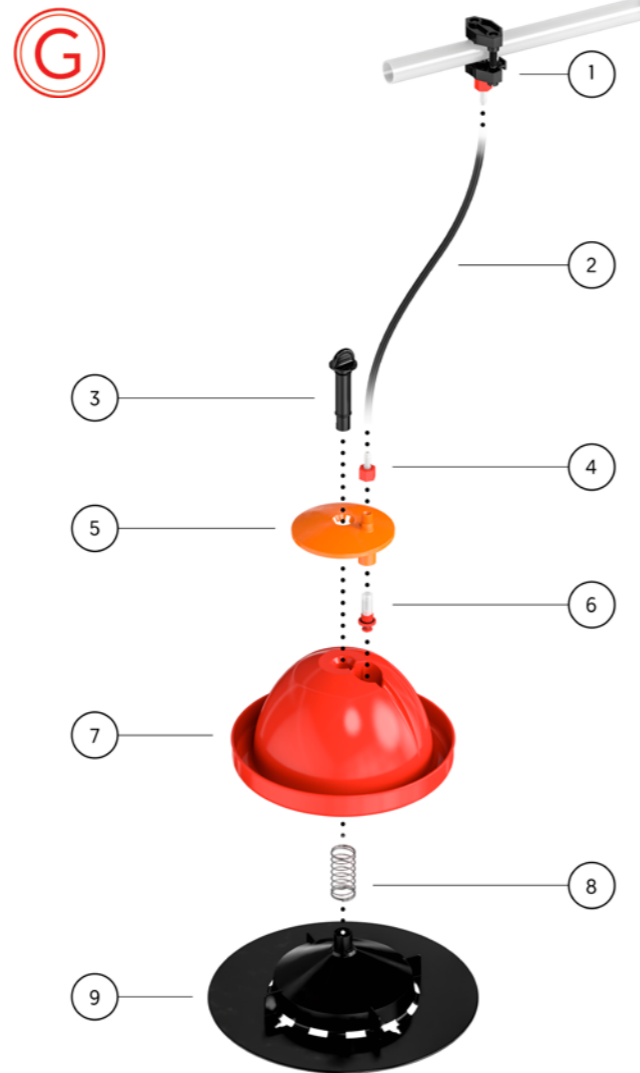
1	0480001	Shut-off saddle
2	0505107	Hose hook
3	0604001	Hose 5x9 mm
4	0505106	Cord adjuster
5	0505111	Suspension cord
6	0501111	Hose connector
7	0505101	Valve flow tube
8	0505103	Valve adjusting screw
9	0505104	Locknut
10	0505110	Spring
11	0506001	Valve
12	0203102	Collar
13	0211004	Bell Jumbo 98
14	0208101	Bell G86

JUMBO JUNIOR Ø9



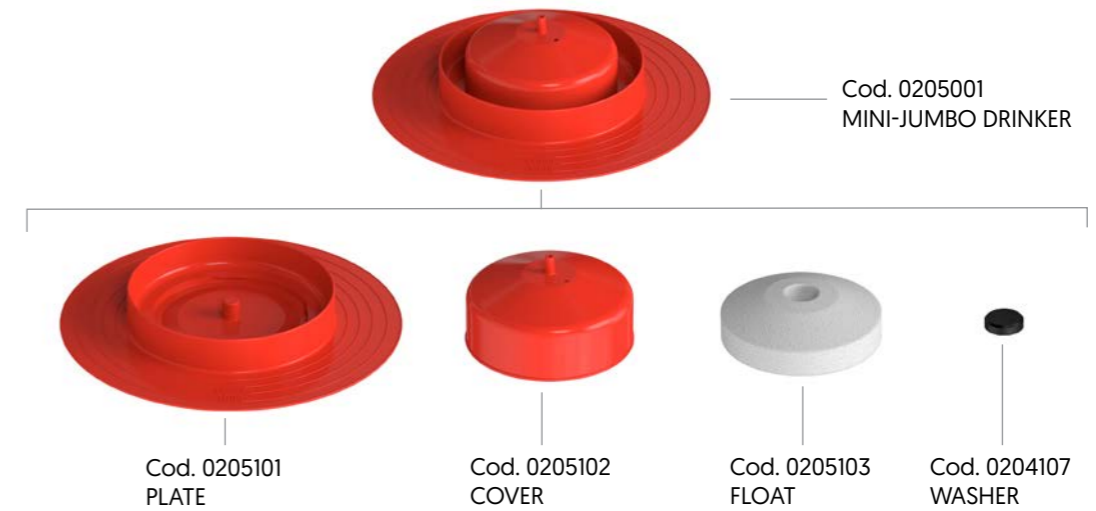
J 1	0505107	Hose hook
J 2	0505106	Cord adjuster
J 3	0480001	Shut-off saddle
J 4	0505111	Suspension cord
J 5	0505119	Suspension hook (metal)
J 6	0604001	Hose 5x9 mm
J 7	0209112	Red Locknut
J 8	0109105	Stem
J 9	0209109	Locknut
J 10	0501111	Hose connector
J 11	0209107	Water level control
J 12	0506001	Valve
J 13	0209101	Bell
J 14	0209106	Water pipe
J 15	0209110	Spring
J 16	0201112	Plug
J 17	0209103	Cover
J 18	0209104	Base
J 17+18	0209102	Ballast Complete

G89 Ø9

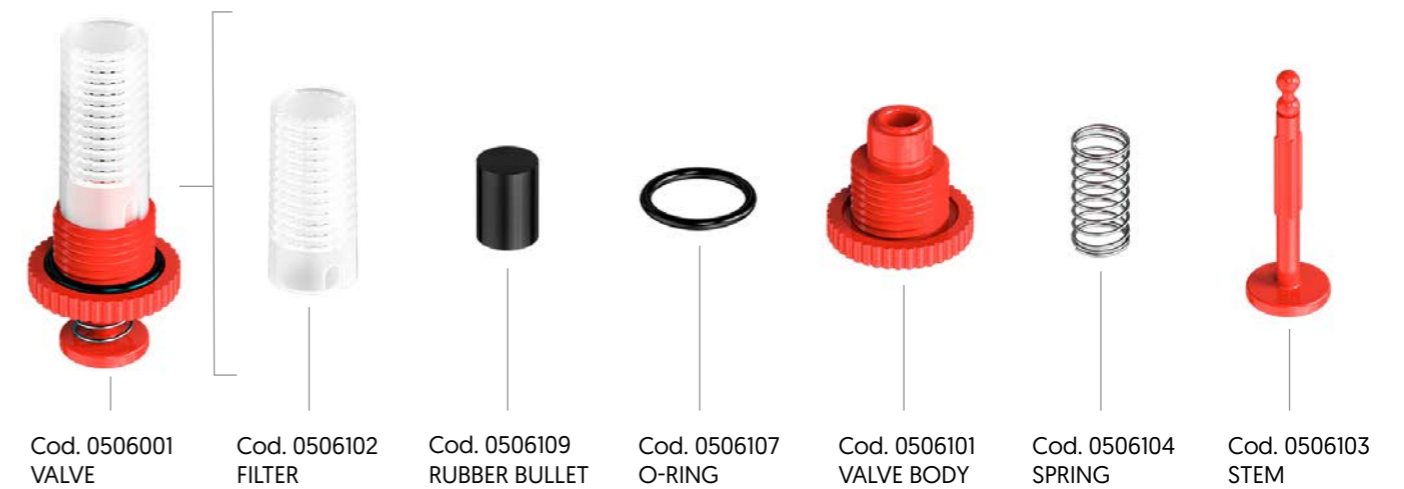


G 1	0480001	Shut-off saddle
G 2	0604001	Hose 5x9 mm
G 3	0210103	Black guide
G 4	0501111	Hose connector
G 5	0209107	Water level control
G 6	0506001	Valve
G 7	0210101	Bell
G 8	0210104	Spring
G 9	0210102	Base

MINI-JUMBO DRINKER



VALVE SPARE-PARTS



ACCESSORIES



SLAT

Made with high quality plastic, the slats are resistant to corrosion, have a long life, are easily cleaned and disinfected and, above all, are safe, thus ensuring high-breeding performance levels. They are made with polypropylene, a copolymer UV stabilized that reduces ageing due to solar rays, resistant to high temperature.

The advantage of a slat is that the litter quality is consistently better, because the birds sleep on the slats. This means that a lot of manure is produced on the slats and collected under them and animal welfare is guaranteed.

The special design allows maximum ventilation and this leads to an increase in the number of animals per square meter.



BREEDER SLAT



Cod. 0450005/120x60

CHARACTERISTICS

Outside dimensions:
1.200x600 mm

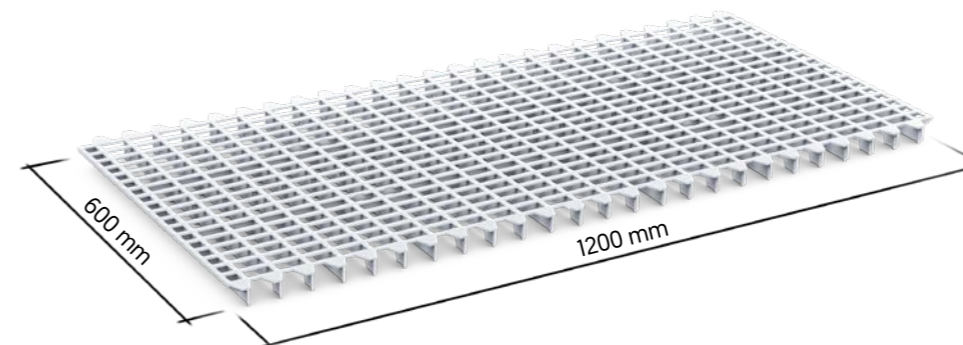
Weight:
3,400 kg

Loading resistance:
200 kg/piece

Standard colour:
white

Shipping capacity:
1.200 pieces per 20' cnt
2.500 pieces per 40' cnt
3.000 pieces per 40' HC

Metal support



Cod. 0450006/100x60

CHARACTERISTICS

Outside dimensions:
1.000x600 mm

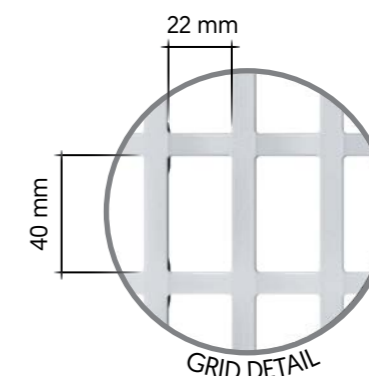
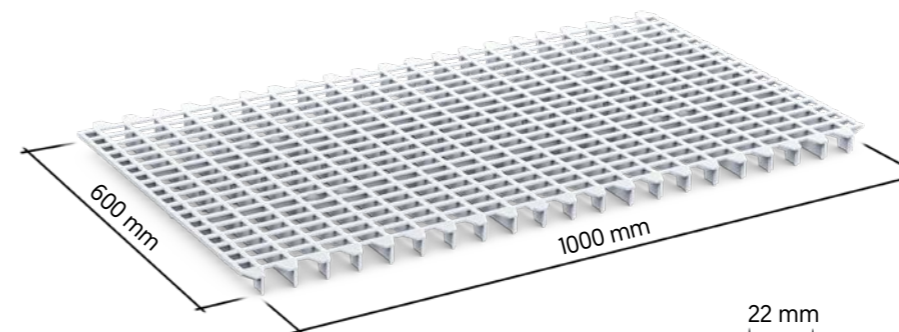
Weight:
2,800 kg

Loading resistance:
200 kg/piece

Standard colours:
white

Shipping capacity:
1.500 pieces per 20' cnt
3.100 pieces per 40' cnt
3.350 pieces per 40' HC

Metal support



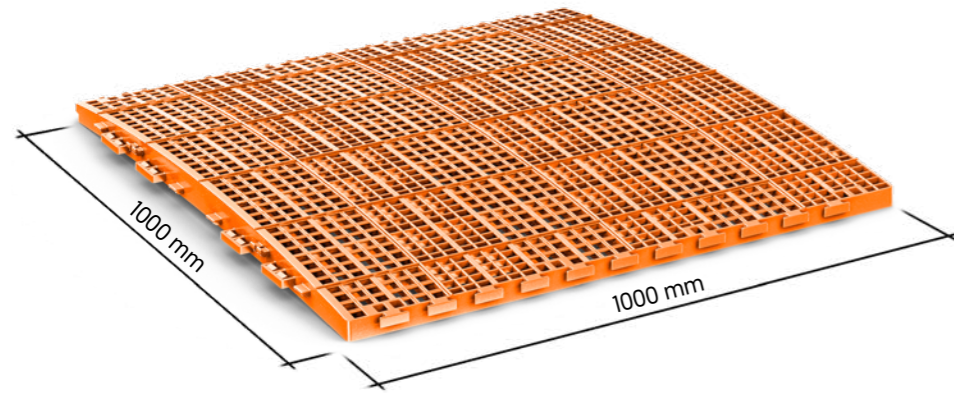
GRINTA-T/INOVA SLAT



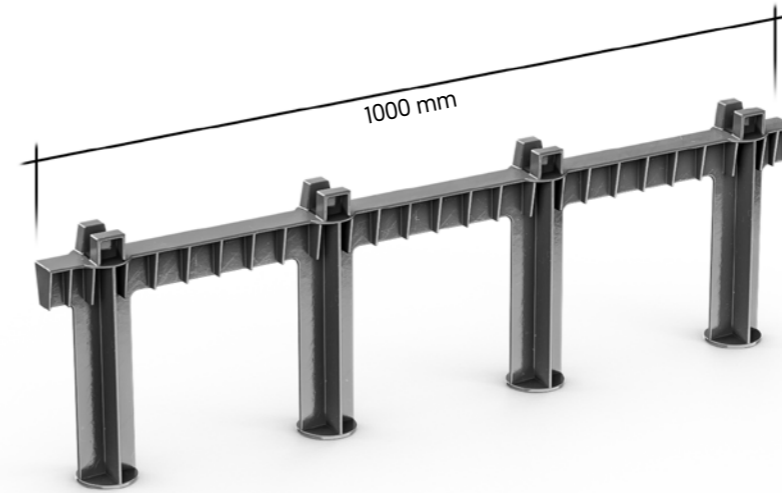
CHARACTERISTICS

Outside dimensions:
1.000x1.000 mm
Loading resistance:
400 kg/m²
Shipping capacity:
500 slats without feet 20' cnt
400 slats with feet 20/30 20' cnt
350 slat with feet 50 20' cnt

Self-supporting



GRINTA-T/INOVA SLAT

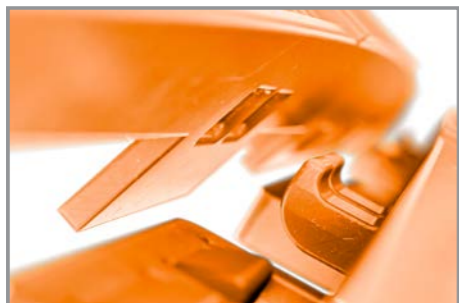
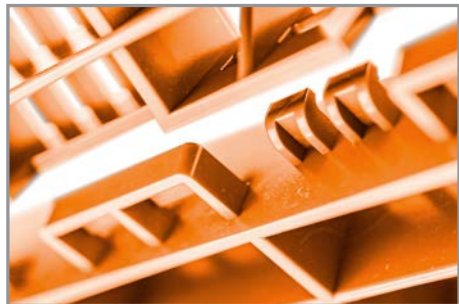


Cod. 0450011.01
1.000x**200** mm
BROILER

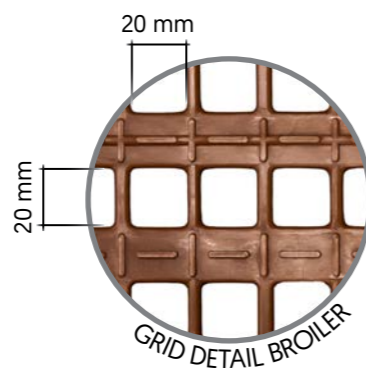
Cod. 0450010.01
1.000x**300** mm
DUCK

Cod. 0450012.01
1.000x**500** mm
DUCK/BREEDER

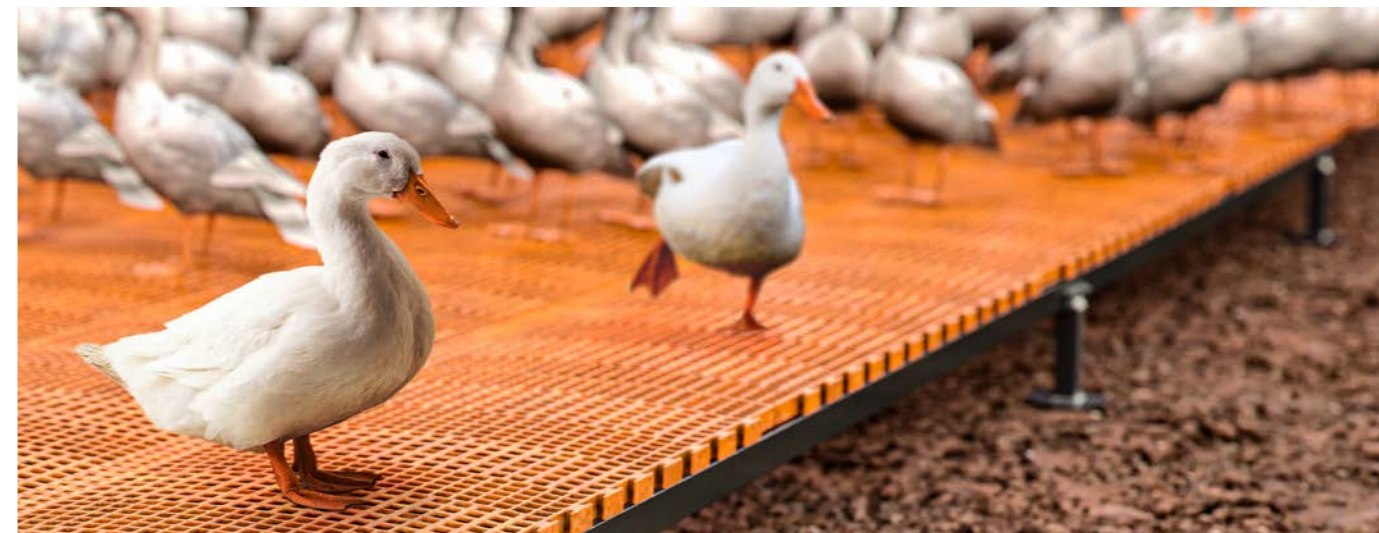
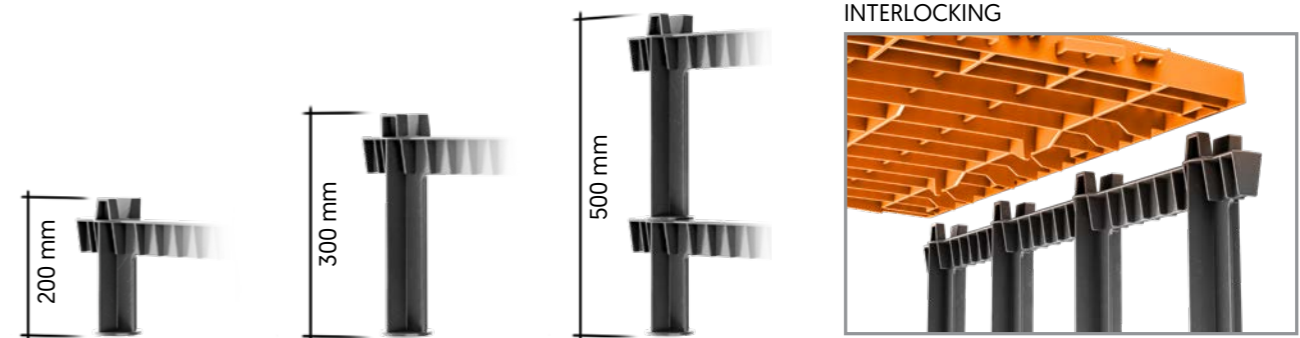
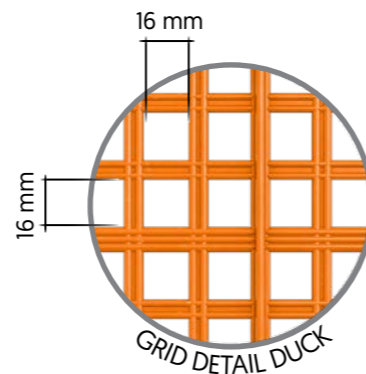
INTERLOCKING



Cod. 0450007.03
GRINTA-T FOR BROILER
Weight:
7 kg



Cod. 0450004.03
INOVA FOR DUCK
Weight:
6,850 kg



PALMY SLAT



Cod. 0450018

CHARACTERISTICS

Outside dimensions:
1.200x1.000 mm

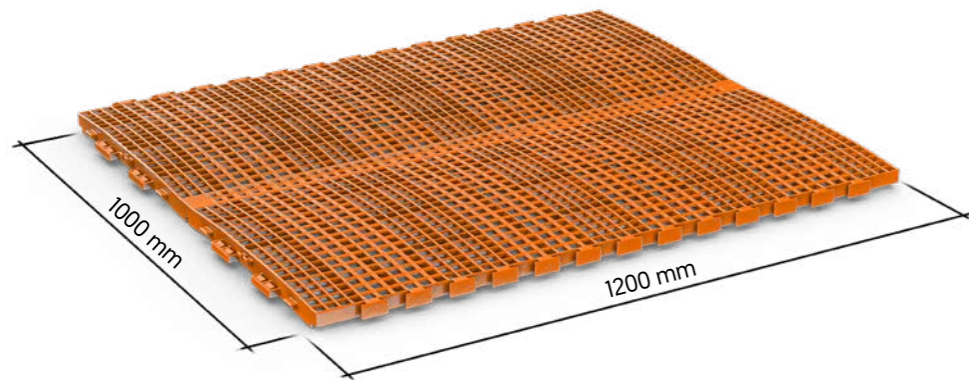
Weight:
6,100 kg

Loading resistance:
200 kg/m²

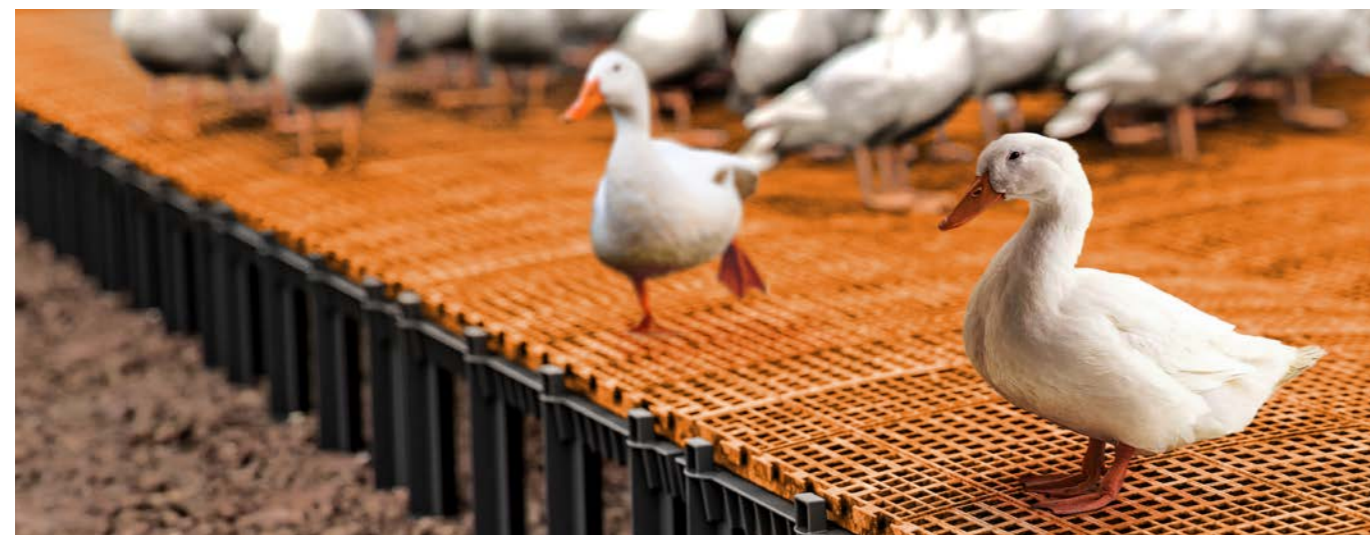
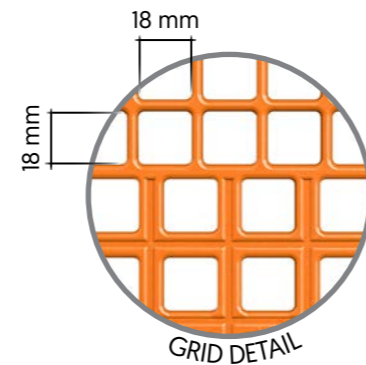
Standard colour:
yellow

Shipping capacity:
660 pieces per 20' cnt
1.300 pieces per 40' cnt
1.500 pieces per 40' HC

Wood/metal support



INTERLOCKING



ECONOMICAL SLAT



Cod. 0450002

CHARACTERISTICS

Outside dimensions:
1.150x630 mm

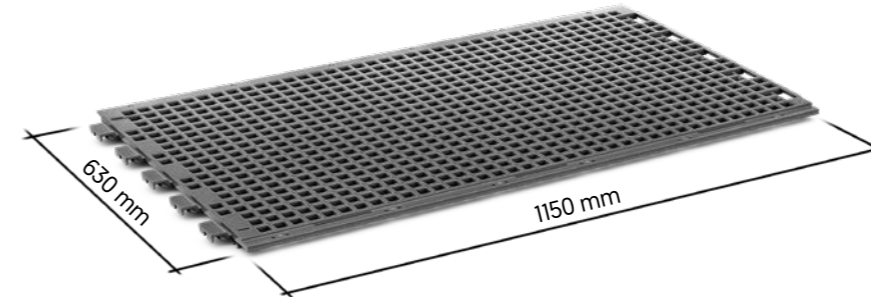
Weight:
3,500 kg

Loading resistance:
200 kg/m²

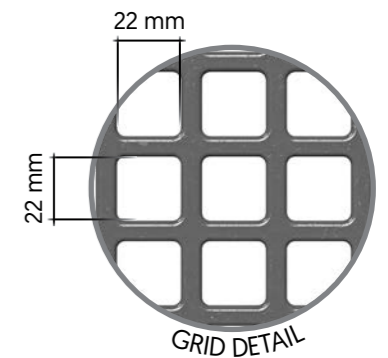
Standard colour:
grey

Shipping capacity:
2.700 pieces per 20' cnt
5.400 pieces per 40' cnt
6.200 pieces per 40' HC

Wood support



INTERLOCKING



BROILER SLAT MALESYA



Cod. 0450021

CHARACTERISTICS

Outside dimensions:
1.000x500 mm

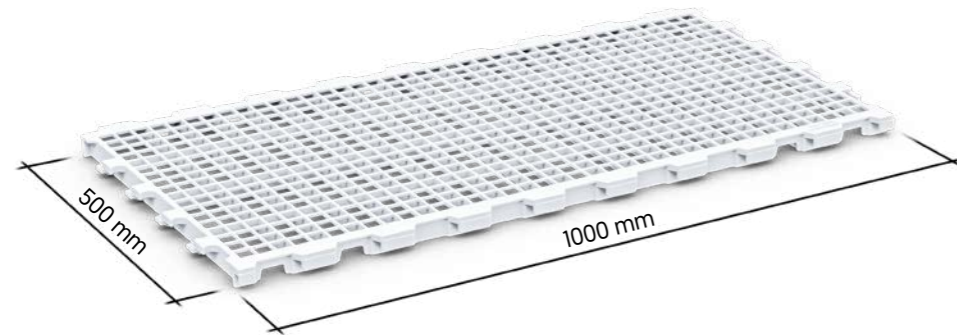
Weight:
1,900 kg

Available colours:
white

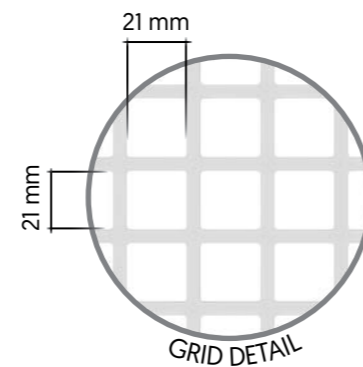
Shipping capacity:
1.500 pieces per 20' cnt
3.000 pieces per 40' cnt
3.400 pieces per 40' HC

Metal support

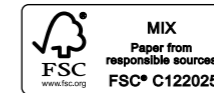
Made in Malesya



INTERLOCKING



GIORDANO POULTRY PLAST S.p.A. reserves the right to modify product's features and data contained in this catalogue, and accepts no liability for errors and/or omissions in the published information.





GIORDANO
POULTRY PLAST®

Member of



GIORDANO S.p.A.

Via Bernezzo, 47

12023 CARAGLIO

Cuneo - Italy

tel: +39 0171 61.97.15

email: info@poultryplast.com



WWW.POULTRYPLAST.COM