



BREAST PROCESSOR



foodmate

Poultry Processing Systems

The Foodmate Breast Processor runs birds breast first. An arbour and several guidings pick up the bird and guide them into the circular blade. The breasts are then cut and transported through the machine by

the pick-up chains. The Foodmate Breast Processor contains a stainless steel frame and motor, requires minimal maintenance, and is easy to clean.





BREAST PROCESSOR

Key Benefits:

- Allows for a maximum of 6,000 birds per hour

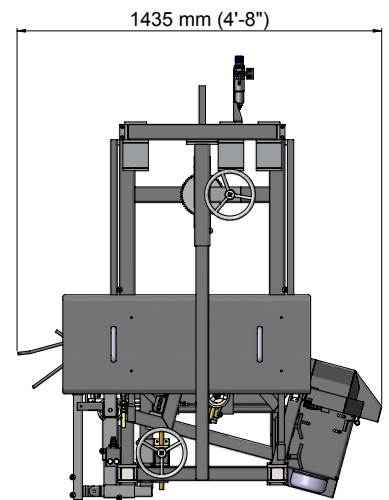
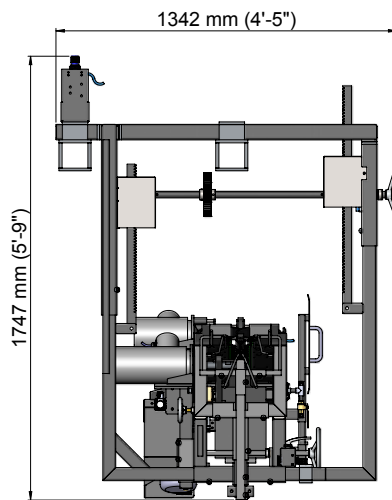
Foodmate is an equipment manufacturing company based in the Netherlands. Founded in 2006, we focus primarily on poultry processing, and we recently launched Foodmate Brasil, expanding our worldwide distribution into South America. Driven by research, paired with unmatched knowledge and decades of experience, it's our mission to innovate, automate and bring cost-effective solutions to the industry.

Our product line spans a wide assortment of processing equipment designed for live bird handling, killing and defeathering, eviscerating, chilling, weighing, cut-up systems, deboning and more.

Our team represents decades of industry knowledge and experience resulting in the engineering, development and implementation of new designs for our clients and their ever-changing needs.

Technical Specifications:

- Stainless steel frame and motor
- Motor (IP66) power is 2 x 0,75 kW
- Motor (IP66) power is 1 x 0,37 kW
- Machine dimensions:
 - Length: 1435 mm
 - Width: 1342 mm
 - Height: 1747 mm
 - Weight: approx. 320 kg



FOODMATE B.V.
The Netherlands
Phone: +31 186 630 240
info@foodmate.nl • www.foodmate.nl

FOODMATE POLSKA
Poland
Phone: +48 601 270 015
biuro@foodmate.nl • www.foodmate.pl

FOODMATE US
U.S.A.
Phone: +1 678 819 5270
info@foodmateusa.com • www.foodmateus.com

FOODMATE BRASIL
Brasil
Phone: +55 19 3308 7768
foodmatebrasil@foodmate.br.com • www.foodmate.nl



FOODMATE UK LTD
United Kingdom
Phone: +44 33330 11110
info@foodmate.uk • www.foodmate.uk