



We make it SIMPLE.  
You make it PROFITABLE.



**OPTiX**  
THIGH DEBONER

THE INTELLIGENT THIGH DEBONER  
DARK MEAT DEBONING SYSTEMS

**THE INTELLIGENT THIGH DEBONER**

**OPTiX**

X-ray Technology + Cut-up Line Integration

Foodmate provides efficient and intelligent dark meat deboning solutions with exclusive x-ray technology. It offers integration with the OPTi Flow Cut-up System and accommodates a wide variation of bird sizes. Our dark meat deboning line offers flexible final product selection, meeting the highest standards set by retailers and institutional organizations from around the world.

**ADVANTAGES**

- ✓ Unmatched yields
- ✓ Intuitive operating screen
- ✓ Cut-up integration or stand-alone
- ✓ Debones up to 14,400 thighs per hour
- ✓ Precise cut through x-ray technology
- ✓ Exceptional drumstick cut presentation
- ✓ Produces cartilage-free meat with or without skin



INITIAL PRODUCT

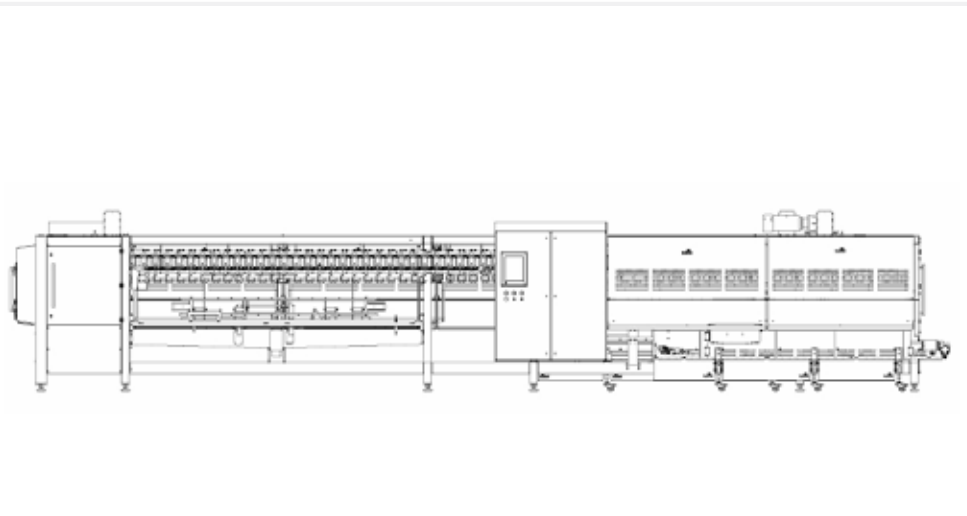


FINAL PRODUCTS



BYPRODUCT

TECHNICAL SPECIFICATIONS	
Frame and Motor	Stainless steel
Power Consumption	16 kW
Length	11910 mm   39'07"
Width	2182 mm   7'15"
Height	2333 mm   7'65"
Weight	Approx. 8000 kg   17,636 lbs
Air Supply	Dry compressed air, 4-8 Bar
Air consumption (average)	50 l/min
Water Supply	3 Bar (42,6 PSI)
Water Consumption (max)	16 m <sup>3</sup> /hr




[foodmateus.com](http://foodmateus.com) | [foodmate.nl](http://foodmate.nl)

The Netherlands (HQ) · USA · UK · Poland · Korea · Brazil



X-RAY



PRE-CUT



SKINNING



THIGH MEAT SCRAPING

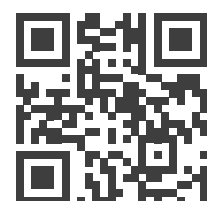
# OPTiX

INTELLIGENT THIGH DEBONING WITH SURGICAL PRECISION  
Thigh Deboner with X-ray Technology (14,400 LPH)

## KEY FEATURES

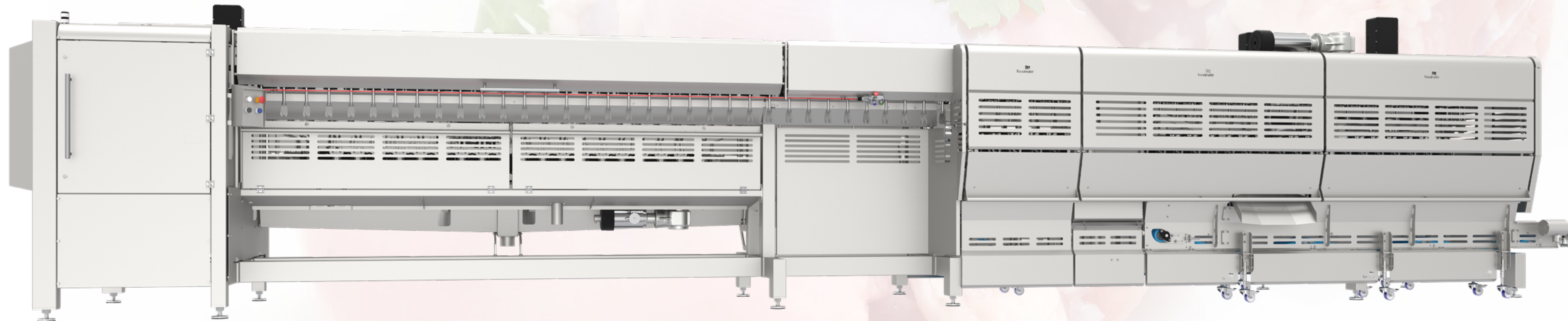
The OPTiX Thigh Deboner uses x-ray technology for detecting kneecap and thigh length, ensuring the highest possible yields. The OPTiX accommodates a wide variation of bird sizes, and offers integration with the OPTI Flow Cut-up System.

The meat is efficiently scraped from the bone to ensure maximum yield and high quality thigh meat, keeping labor to a minimum.



See the **OPTiX** in action

 Pioneers in  
Intelligent Deboning



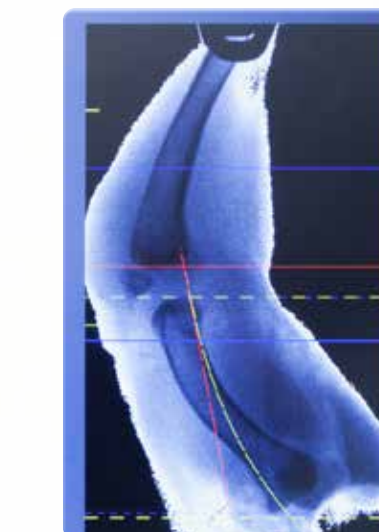
THIGH MEAT HARVESTING



THIGH / DRUM SEPARATION



DRUMSTICK UNLOADING



## X-RAY MEASURING SYSTEM

The new **OPTiX** Thigh Deboner uses an x-ray measuring system to precisely measure each leg, it automatically adjusts for each leg in real-time at a speed of up to 14,400 legs per hour.

Leading Technology  
in Dark Meat Deboning Solutions