

LAMELLA PUMP

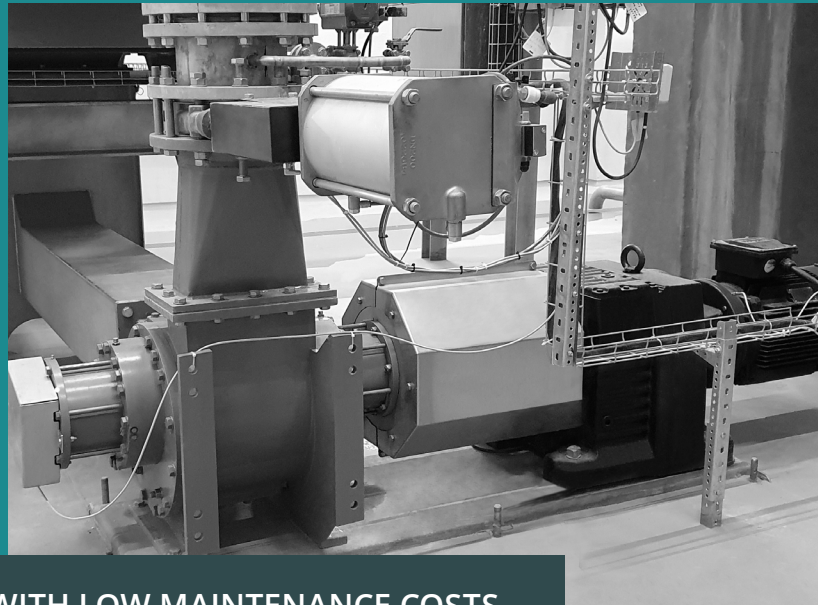
Version 1.1 - 2022

OESTERGAARD

LAMELLA PUMP

ADVANTAGES

- Highly energy efficient long-distance transport of viscous products.
- Able to pump raw material with large particles.
- Able to pump highly viscous products with low moisture content.
- Accurate and precise feeding of continuous cookers with use of a frequency converter.
- High capacity range.
- Innovative danish design.



EXTREMELY RELIABLE PUMP WITH LOW MAINTENANCE COSTS

BENEFITS OF THE OESTERGAARD LAMELLA PUMP



Extremely versatile pump for all kinds of raw and cooked material:

- animal and poultry by-products (excluding feathers)
- whole fish and fish waste
- pre-broken bones



Reduction of odour and hygienic issues as transported products are enclosed in pipeline system.



Small footprint makes it easier to install an Oestergaard lamella pump in the customer's facility.



Easy handling of animal by-products and pre-broken bones with occasional metal pieces in raw material.



Low maintenance costs due to long life time of all wear parts.



Power and rpm to suit required capacity.



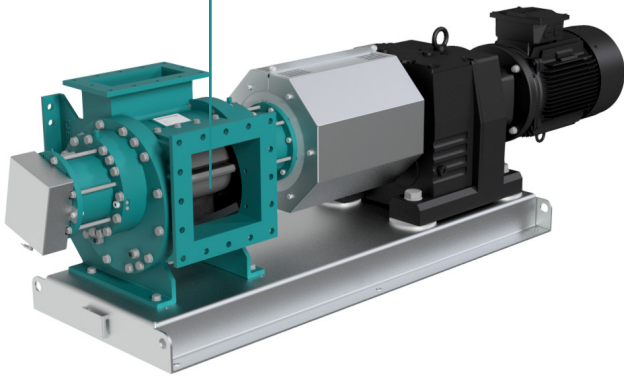
"Easy-clean" pump is available for industries with increased hygiene requirements.



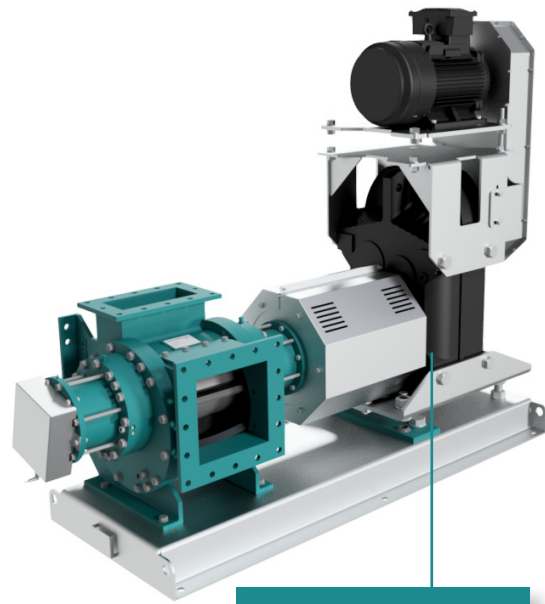
Pump units are available in different configurations and sizes to suit customer's individual requirements.

LAMELLA PUMP

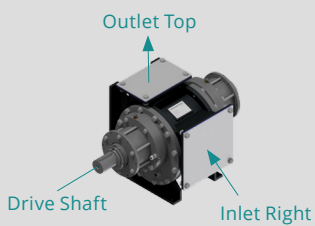
Direct driven pump



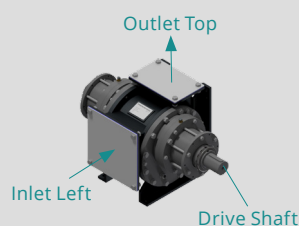
Belt driven pump



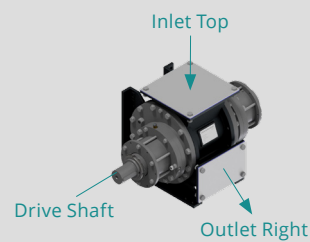
WHEN ORDERING, REMEMBER TO SPECIFY THE PUMP CONFIGURATION



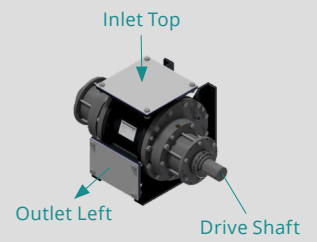
OLP250.A
OLP350.A



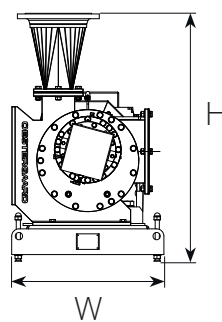
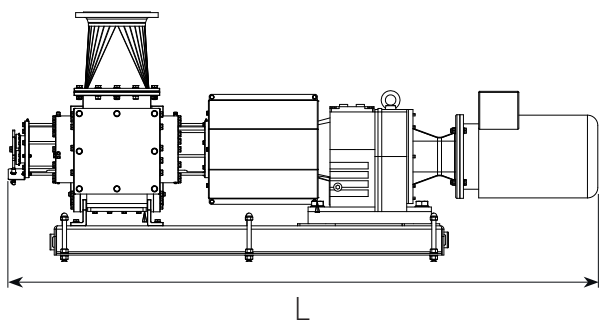
OLP250.B



OLP250.C
OLP350.C



OLP250.D
OLP350.D



With OESTERGAARD technical knowledge and capabilities, we have the flexibility to offer complete overhaul of all brands of lamella pumps in our workshop or on site.



TYPE	Capacity range (ton/h)	Max. speed (rpm)	Theoretical displacement (l/rev)	Dimensions (m)			Weight, bare shaft pump (kg)	Net weight (tons)
				L	W	H		
OLP 250*	2 - 40	80	10	2,25	0,85	0,62	380	0,95
OLP 350	10 - 80	70	25	2,15	0,90	1,75	620	1,90
OLP 450	30 - 200	60	75	2,25	0,80	2,20	1,360	3,05

NB. Dimensions and weight can vary depending on design of the drive unit.

* Direct driven version.

See special versions of pumps on our home page.

OESTERGAARD A/S - Fabriksvej 4 - DK-5580 Noerre Aaby - Denmark
Tel. +45 38 42 40 10 - info@oestergaard-as.dk - www.oestergaard-as.dk

CONTACT US

- Danish headquarters

OESTERGAARD A/S

Fabriksvej 4
5580 Nørre Aaby,
Denmark

info@oestergaard-as.dk

Tel. +45 38 42 40 10

For local offices & info please visit
www.oestergaard-as.dk/contact

*We value all our customers -
current and future.*

SCAN THE QR CODE

and learn
more about us



<https://linktr.ee/oestergaardask>



OESTERGAARD A/S

FIND US ON

Facebook, LinkedIn
& Youtube



OUR PARTNERS AROUND THE WORLD

With headquarters in Denmark as well as offices, partners and agents all around the world, we are ready to help you *wherever you are*.



FIND YOUR
LOCAL
OFFICE
/FACILITY

visit our website:
[oestergaard-as.dk
/contact](http://oestergaard-as.dk/contact)

OESTERGAARD